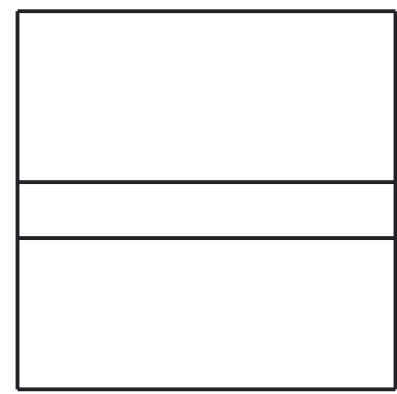
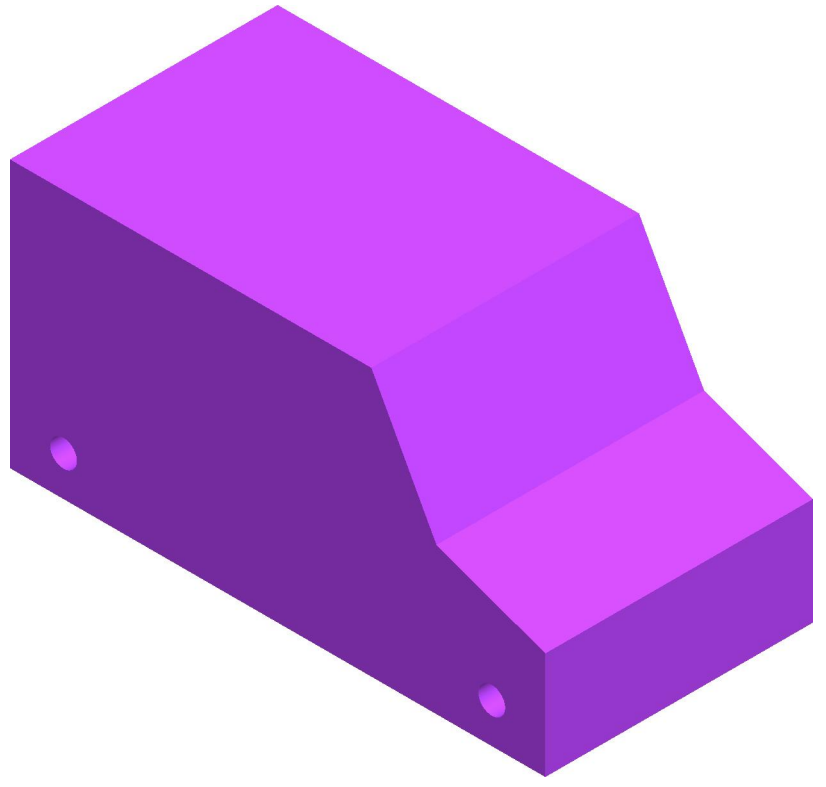
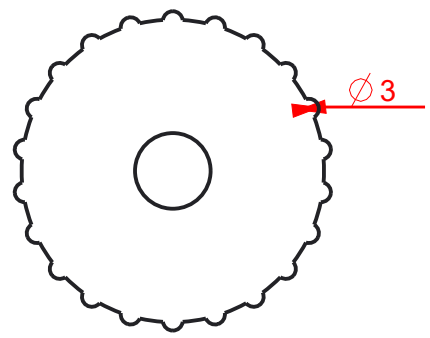
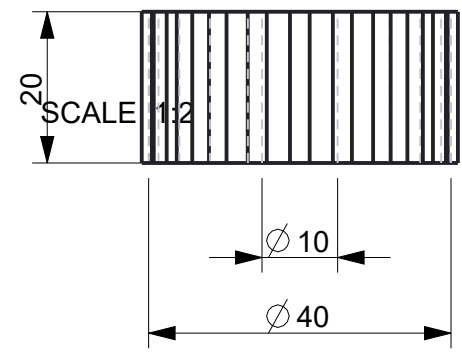
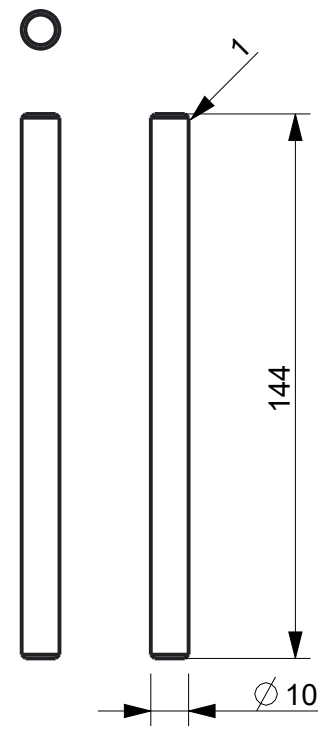
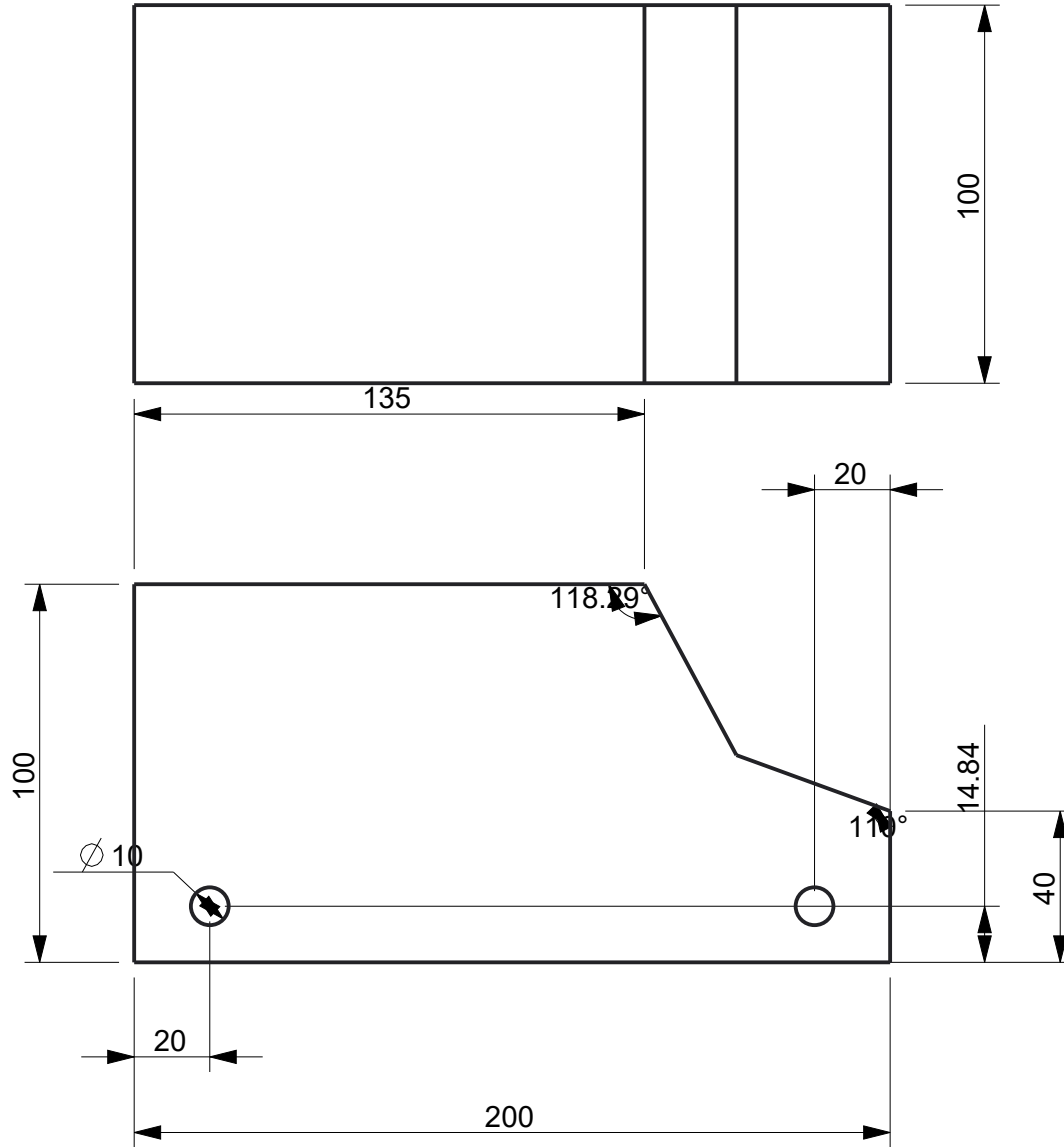
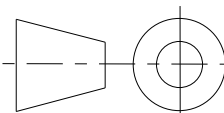


MODEL NAME
BUS_BODY

TITLE



	DRAWN BY		DATE
	CHECKED BY		DATE
	APPROVED BY		DATE
THIS DOCUMENT IS SUPPLIED IN CONFIDENCE. NO REPRODUCTION OF THIS DOCUMENT IN PART OR IN WHOLE OR THEREON OF THE ITEMS SHOWN MAY BE MADE WITHOUT THE COPYRIGHT OWNERS WRITTEN PERMISSION.		SCALE 1:2	SHEET 1 OF 1
TITLE			
PROJECT		MODEL NAME BUS_BODY	ISSUE

UNLESS OTHERWISE SPECIFIED ALL DIMENSIONS ARE IN MILLIMETERS. TOLERANCES ARE +/- 0.1MM +/- 1°
DO NOT SCALE