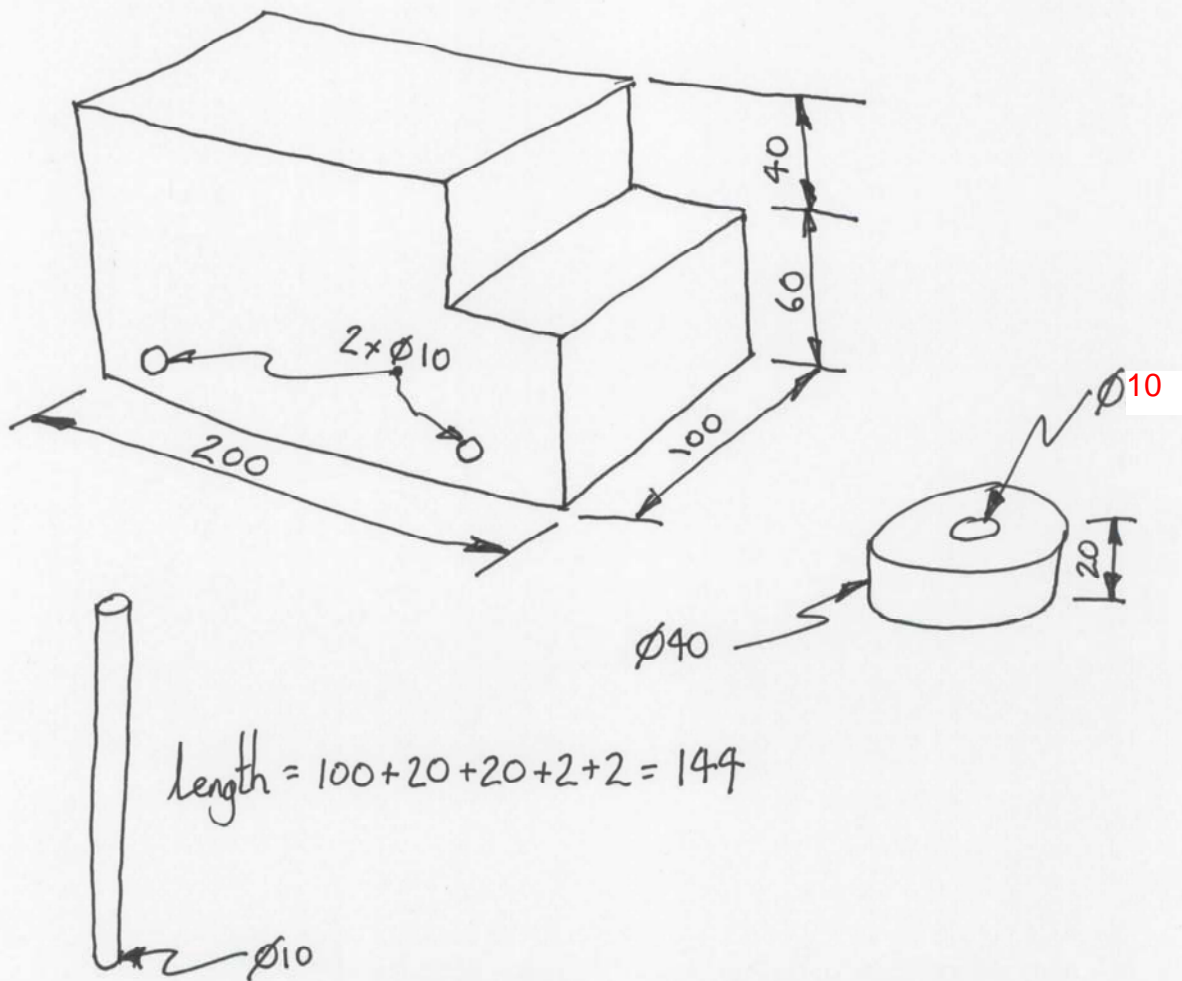


The Bus Project.

A Pro/Engineer "home work" task.



The task is to draw each component.
SAVE / CREATE as BODYxy.prt (xy = your initials)
AXLExy.prt
WHEELxy.prt

ASSEMBLE, RENDER and create 2D Orthographic.

- * extension is to develop the design to become....
- a sports car with mag wheels
 - a ute with car aerial
 - wheels with tyres (revolve this!)
 - any variation.