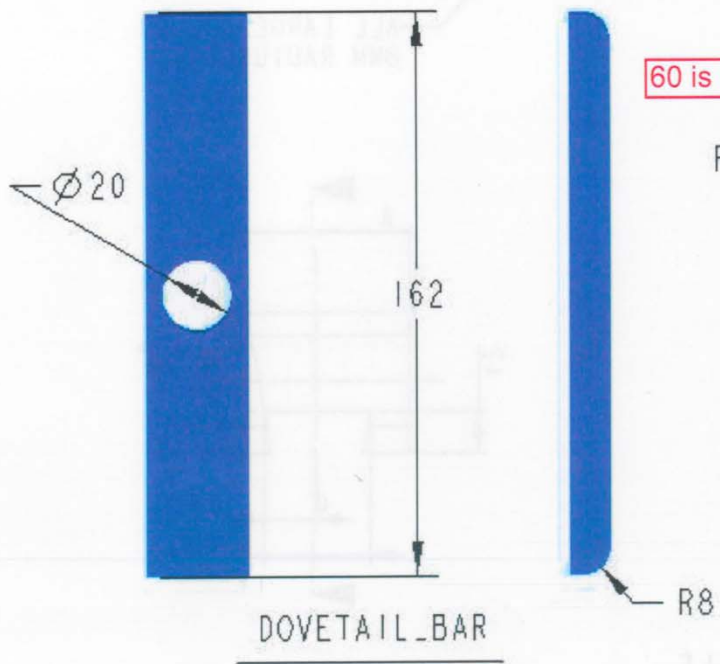
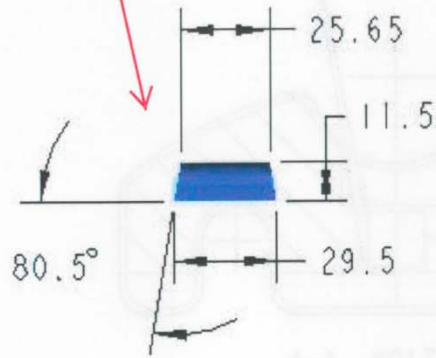
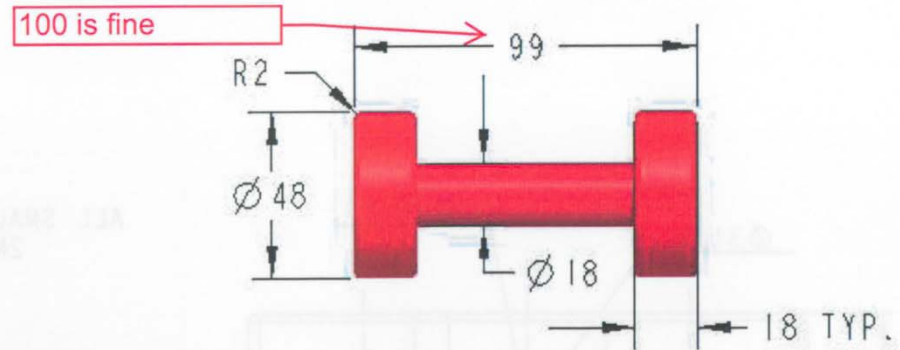


You can copy and paste this geometry



DOVETAIL_BAR

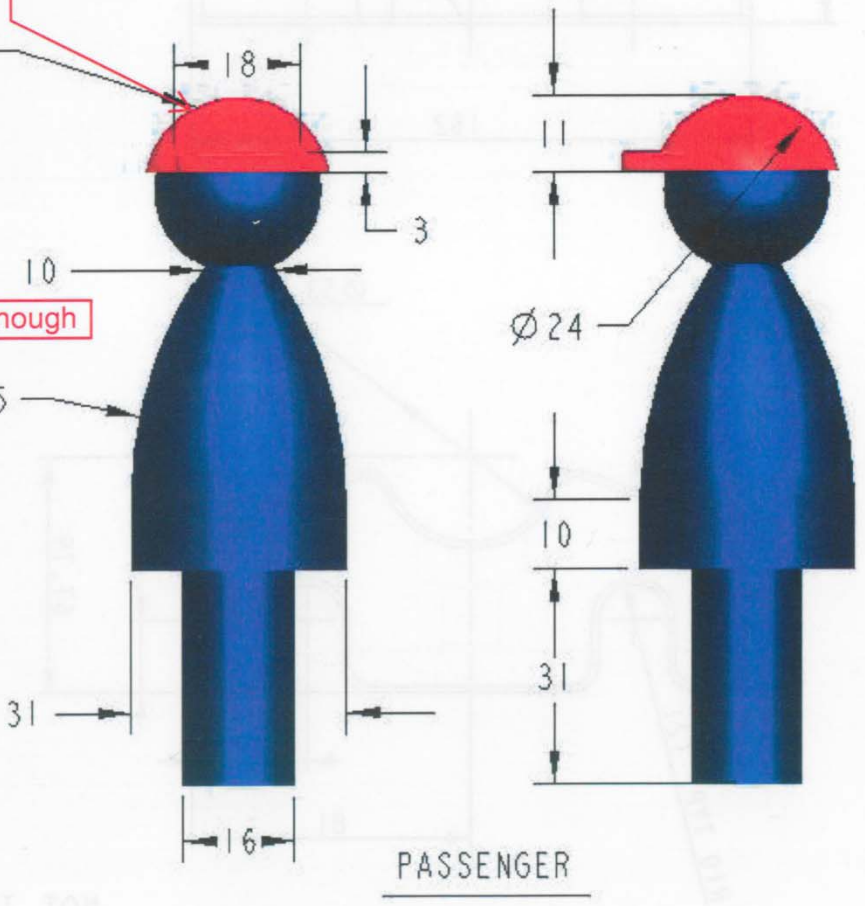


WHEELS

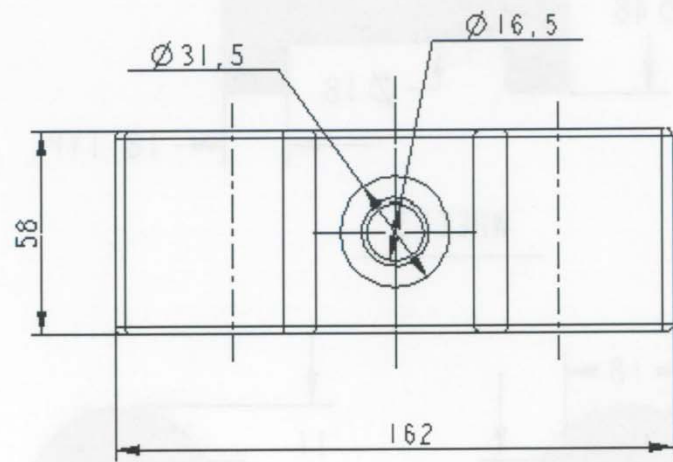
The hat is EXTENSION WORK!

1.5 MM SHELL TO OUTSIDE

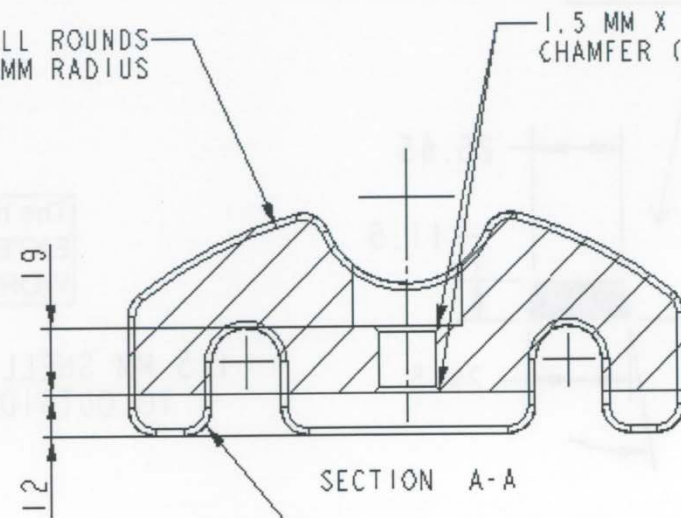
60 is close enough



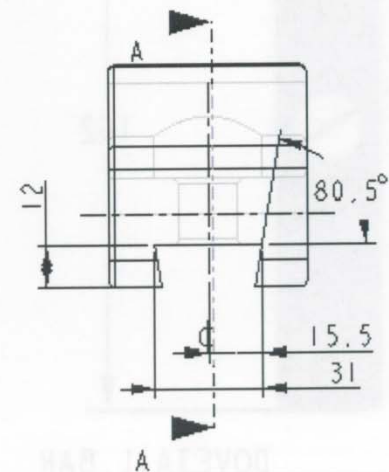
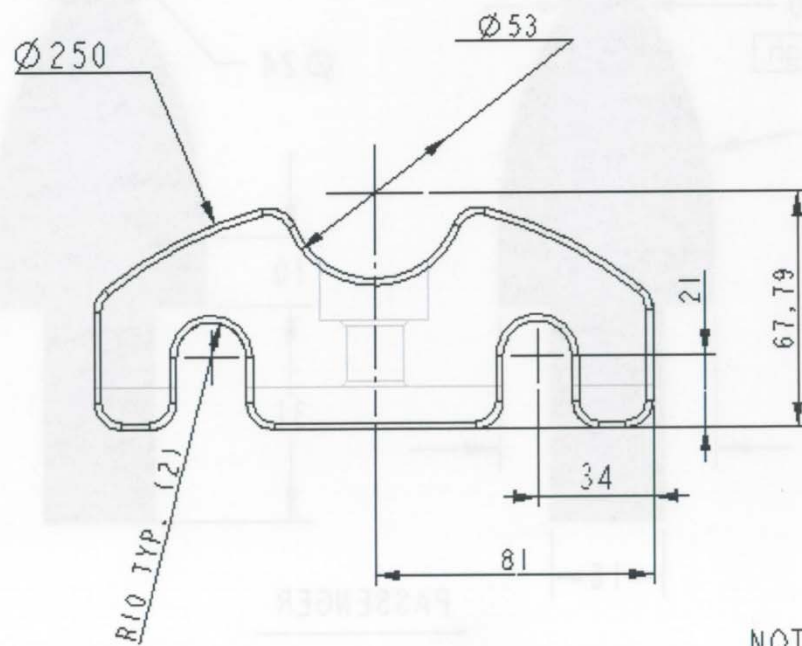
PASSENGER



ALL SMALL ROUNDS
 2MM RADIUS
 1.5 MM X 1.5 MM
 CHAMFER (2)



ALL LARGE ROUNDS
 8MM RADIUS (10)



NOT TO SCALE